



SOLUXTEC

DIE MODUL MANUFAKTUR
100% MADE IN GERMANY

SOLUXTEC DAS MODUL

Multi Serie PRO²



10 year warranty



- Designed for large scale PROfessional's PROjects

- Modules binned by current to improve PROject system performance.

- Positive performance Tolerance



Extremely lightweight Design



100% Quality Assurance



Linear Performance Guarantee



5400 Pa max load capacity



Innovative Junction Box



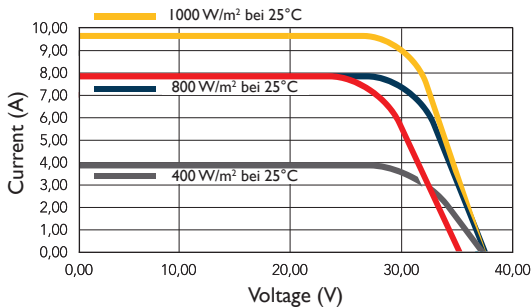
Excellent thermal Properties



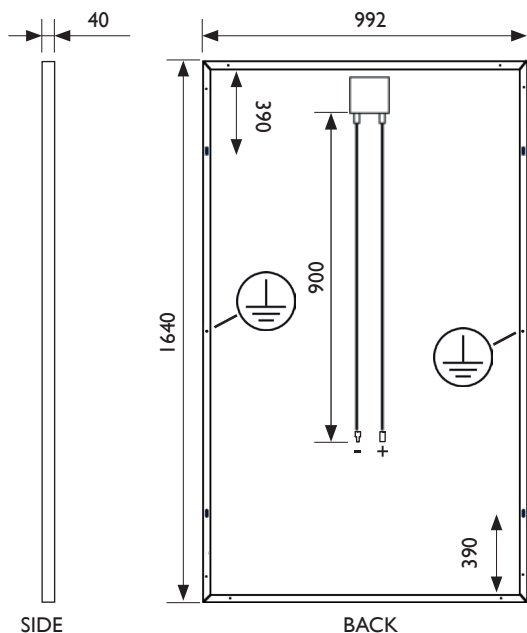
SOLUXTEC DAS MODUL

Multi Serie PRO²

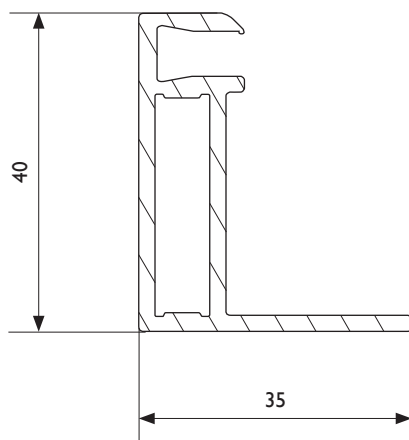
I-V CURVES



MODULE DIMENSIONS



FRAME DIMENSIONS



SOLUXTEC

Soluxtec GmbH, Werner von Siemens Str. 25, 54634 Bitburg
Tel.: +49 65 61 69 37 265 Fax: +49 65 61 69 40 521
E-Mail: info@soluxtec.de Web: www.soluxtec.eu

ELECTRICAL PERFORMANCE UNDER STANDARD TEST CONDITIONS, 1000 W/m², AM=1.5

Maximum Power	P _{max}	Wp	265	270	275
Open Circuit Voltage	V _{oc}	V	38,14	38,31	38,50
Short Circuit	I _{sc}	A	9,10	9,15	9,24
Maximum Power Point Voltage	V _{mpp}	V	30,96	31,26	31,46
Maximum Power Point Current	I _{mpp}	A	8,56	8,64	8,75
Efficiency	%		16,20	16,60	16,90

ELECTRICAL PERFORMANCE UNDER NOCT, 800 W/m², AM=1.5, T=20°C

Maximum Power	P _{max}	Wp	192	196	199
Open Circuit Voltage	V _{oc}	V	34,99	35,29	35,60
Short Circuit	I _{sc}	A	7,17	7,20	7,25
Maximum Power Point Voltage	V _{mpp}	V	28,42	28,62	28,81
Maximum Power Point Current	I _{mpp}	A	6,77	6,85	6,93

THERMAL CHARACTERISTICS

STC	25°
NOCT	45°
TC I _{sc}	+0,058%/K
TC v _{oc}	- 0,330%/K
TC P _{mp}	- 0,410%/K

COMPONENTS

Cells Number	60
Technology	polycrystalline silicon
Cell Dimension	156 x 156 mm
Junction Box	IP 67 ventilated
Connector	MC4 compatible
Glass	tempered+patterned
Glass Thickness	3,2 mm

GENERAL CHARACTERISTICS

Module Weight	18,2 kg
Color	white
Frame Color	silver
Total Thickness	40 mm

INTEGRATION CHARACTERISTICS

Max. System Voltage	1000 Vdc
Protection Class	A
Operating Temperature Range	- 40 ... + 85
Max. Reserve Current	15 A

CERTIFICATIONS

IEC 61215 IEC 61701
EN 61730

PERFORMANCE WARRANTY

Linear
80,20% after 25 years

PRODUCT WARRANTY

10 years

POWER TOLERANCE*

0/+3% of P_{mp}
PFlash > P_{mp}

This data Sheet complies with the requirements of EN 50380.

Soluxtec reserves the right to make specification changes without prior notice (2017).

* Flasher AAA, Power tolerance measurement of +/- 3%, overall dimensions are within a tolerance of +/- 1,5%.