



DIE MODUL MANUFAKTUR
100% MADE IN GERMANY

SOLUXTEC DAS MODUL

Multi Serie PRO²



10 year warranty



- Designed for large scale PROfessional's PROjects

- Modules binned by current to improve PROject system performance.

- Positive performance Tolerance



Extremely lightweight Design



100% Quality Assurance



Linear Performance Guarantee



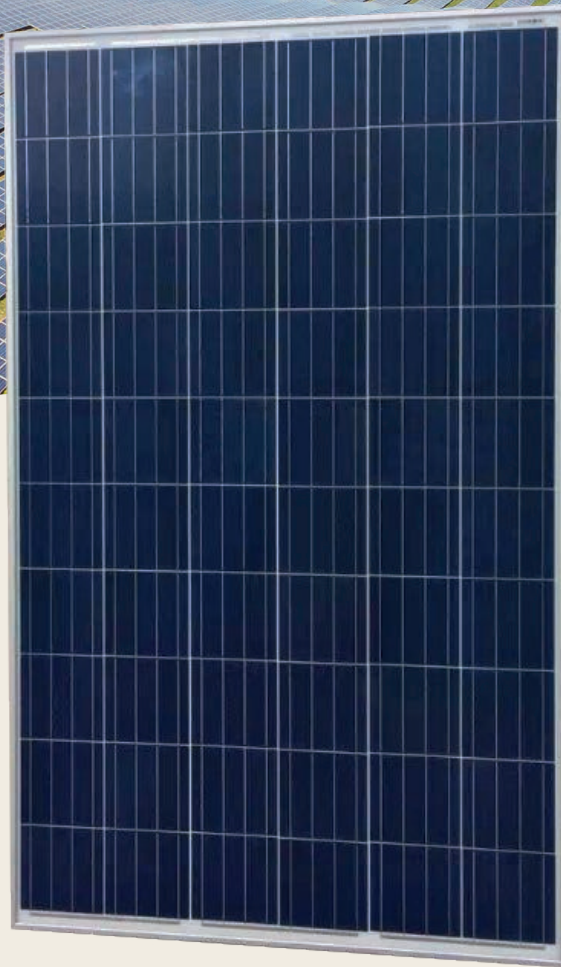
5400 Pa max load capacity



Innovative Junction Box



Excellent thermal Properties



IEC 61215
EN 61730
Regular Production
Surveillance
www.tuv.com
ID: 111212698



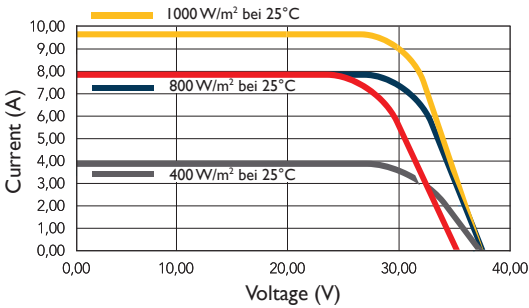
Management
System
ISO 9001:2008
www.tuv.com
ID: 9108620739



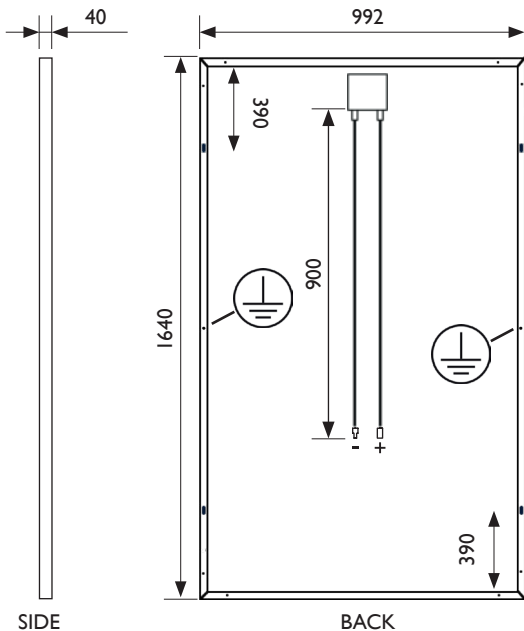
SOLUXTEC DAS MODUL

Multi Serie PRO²

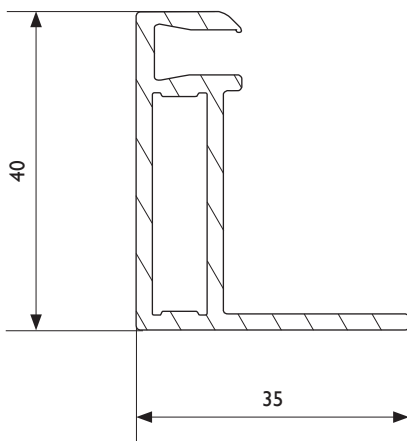
I-V CURVES



MODULE DIMENSIONS



FRAME DIMENSIONS



SOLUXTEC

Soluxtec GmbH, Werner von Siemens Str. 25, 54634 Bitburg
Tel.: +49 65 61 69 37 265 Fax: +49 65 61 69 40 521
E-Mail: info@soluxtec.de Web: www.soluxtec.eu

ELECTRICAL PERFORMANCE UNDER STANDARD TEST CONDITIONS, 1000 W/m², AM=1.5

| | | | | | |
|-----------------------------|------------------|----|-------|-------|-------|
| Maximum Power | P _{max} | Wp | 265 | 270 | 275 |
| Open Circuit Voltage | V _{oc} | V | 38,14 | 38,31 | 38,50 |
| Short Circuit | I _{sc} | A | 9,10 | 9,15 | 9,24 |
| Maximum Power Point Voltage | V _{mpp} | V | 30,96 | 31,26 | 31,46 |
| Maximum Power Point Current | I _{mpp} | A | 8,56 | 8,64 | 8,75 |
| Efficiency | % | | 16,20 | 16,60 | 16,90 |

ELECTRICAL PERFORMANCE UNDER NOCT, 800 W/m², AM=1.5, T=20°C

| | | | | | |
|-----------------------------|------------------|----|-------|-------|-------|
| Maximum Power | P _{max} | Wp | 192 | 196 | 199 |
| Open Circuit Voltage | V _{oc} | V | 34,99 | 35,29 | 35,60 |
| Short Circuit | I _{sc} | A | 7,17 | 7,20 | 7,25 |
| Maximum Power Point Voltage | V _{mpp} | V | 28,42 | 28,62 | 28,81 |
| Maximum Power Point Current | I _{mpp} | A | 6,77 | 6,85 | 6,93 |

THERMAL CHARACTERISTICS

| | |
|---------------------|------------|
| STC | 25° |
| NOCT | 45° |
| TC I _{sc} | +0,058%/K |
| TC v _{oc} | - 0,330%/K |
| TC P _{mpp} | - 0,410%/K |

COMPONENTS

| | |
|-----------------|-------------------------|
| Cells Number | 60 |
| Technology | polycrystalline silicon |
| Cell Dimension | 156 x 156 mm |
| Junction Box | IP 67 ventilated |
| Connector | MC4 compatible |
| Glass | tempered+patterned |
| Glass Thickness | 3,2 mm |

GENERAL CHARACTERISTICS

| | |
|-----------------|---------|
| Module Weight | 18,2 kg |
| Color | white |
| Frame Color | silver |
| Total Thickness | 40 mm |

INTEGRATION CHARACTERISTICS

| | |
|-----------------------------|---------------|
| Max. System Voltage | 1000 Vdc |
| Protection Class | A |
| Operating Temperature Range | - 40 ... + 85 |
| Max. Reserve Current | 15 A |

CERTIFICATIONS

IEC 61215 IEC 61701
EN 61730

PERFORMANCE WARRANTY

Linear
80,20% after 25 years

PRODUCT WARRANTY

10 years

POWER TOLERANCE*

0/+3% of P_{mpp}
PFlash > P_{mpp}

This data Sheet complies with the requirements of EN 50380.

Soluxtec reserves the right to make specification changes without prior notice (2017).

* Flasher AAA, Power tolerance measurement of +/- 3%, overall dimensions are within a tolerance of +/- 1,5%.

V01_2017

www.soluxtec.eu